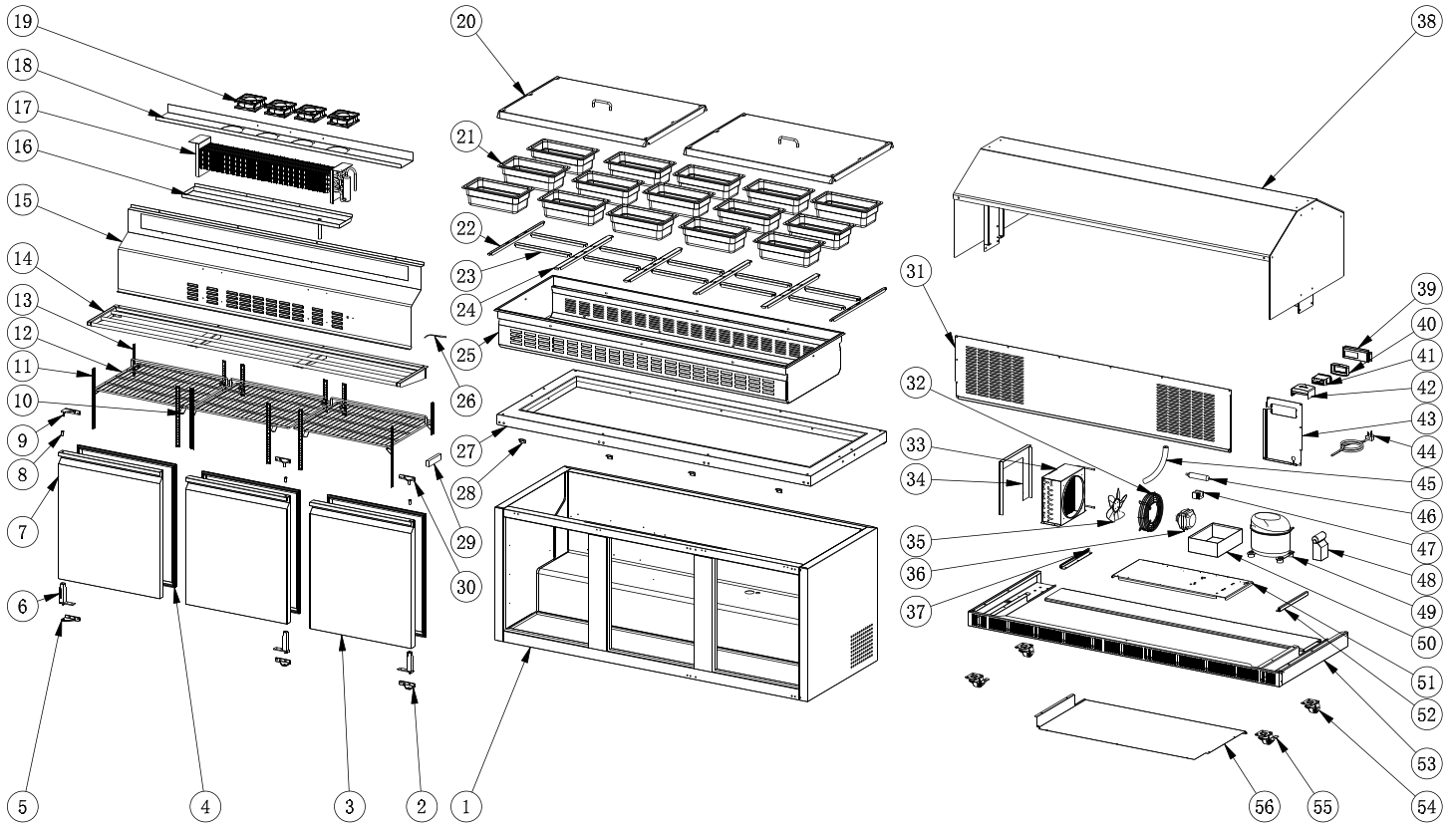


Parts Breakdown

Model **PT-CN-1778-S-HC** 50090



Parts Breakdown

Model PT-CN-1778-S-HC 50090

Item No.	Description	Position	Item No.	Description	Position	Item No.	Description	Position
AI978	Cabinet for 50090	1	AI985	Lid for 50090	20	AB320	Thermostat Installation Board for 50090	39
AA360	Bottom Left Hinge for 50090	2	AI952	Pan for 50090	21	AA214	Thermostat Water Proof Cover for 50090	40
AI979	Right Door for 50090	3	AI953	Pan Bracket-542-15 for 50090	22	AA123	Thermostat for 50090	41
AB197	Gasket for 50090	4	AI954	Pan Bracket-330-28 for 50090	23	AI966	Thermostat Back Cover for 50090	42
AA359	Bottom Right Hinge for 50090	5	AI955	Pan Bracket-542-28 for 50090	24	AI967	Thermostat Installation Board for 50090	43
AI945	Spring Hinge Board for 50090	6	AI986	Tray Components for 50090	25	AA135	Power Cord for 50090	44
AI980	Left Door for 50090	7	AA379	Temperature Probe for 50090	26	AA133	Drain Hose for 50090	45
AA388	Axis Cover for 50090	8	AI987	Top Board for 50090	27	AI968	Filter for 50090	46
AB200	Upper Left Hinge for 50090	9	AI958	Top Board Connector for 50090	28	AI969	Filter Fixer for 50090	47
26884	K Clip for 50090	10	AA596	Thermometer for 50090	29	AI990	Compressor Parts for 50090	48
AF090	K Strip-3 Holes for 50090	11	AF070	Upper Right Hinge for 50090	30	AI991	Compressor for 50090	49
AB460	Shelf for 50090	12	AI988	Back Grill for 50090	31	AA874	Outer Drain Pan for 50090	50
AF089	K Strip-2 Holes for 50090	13	AI960	Condenser Fan Cover for 50090	32	AI972	Compressor Unit Installation Board for 50090	51
AI981	Sliding Tray for 50090	14	AI961	Condenser Fan Motor for 50090	33	AI973	Right Compressor Unit Track for 50090	52
AI982	Evaporator Cover for 50090	15	AI962	Condenser Fan Screen for 50090	34	AI992	Base Components for 50090	53
AI983	Inner Drain Pan for 50090	16	AA962	Blade of Evaporator Fan Motor for 50090	35	AI975	2" Castor for 50090	54
AA171	Evaporator for 50090	17	AI963	Condenser Fan Motor for 50090	36	AI976	2" Castor with Brake for 50090	55
AI984	Fan Motor Installation Panel for 50090	18	AI964	Left Compressor Unit Track for 50090	37	AI977	Base Wind Board for 50090	56
AA128	Condenser Fan Motor for 50090	19	AI989	Sneeze Guard for 50090	38			